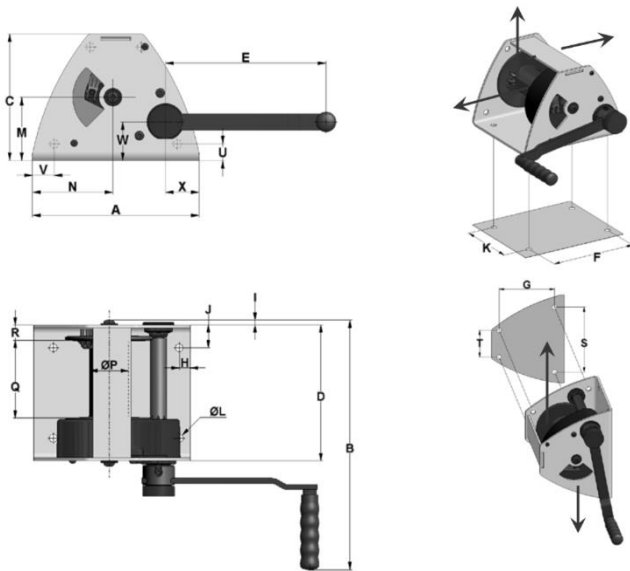


TECHNICAL CHARACTERISTICS

- High quality gears which have undergone all breaking and endurance tests
- Hubs machined to create a reserve of grease
- Automatic pawl brake with stainless steel spring
- Rigid tubular chassis with mechanical parts and drum protected by cathaphoresis
- Drum can be disengaged by easy access to lever with safety device preventing disengaging when loaded
- Users and gears protected by a protective cover that can be removed for maintenance
- Simple and quick-operation wire rope lug takes any diameter of wire rope
- Variable length control handle giving the user either maximum operating force or rapid operation for small loads or rewinding operations
- Handle adjustment button for maximum ease of use. It can be used to adjust the handle or to remove it to lock operation of the winch
- The TR winch can be fixed in many positions, on a horizontal or vertical fixing plane on four fixing points (depending on the model)



WLL (kg)	Wire rope			Effort on handle (kg)	Lift per turn of handle (mm)	Weight without wire rope (kg)
	Ø (mm)	Max capacity	Number of layers			
300	5	38	6	12.5	30.5	15
500	6.8	18	4	19	31.5	15
1000	9	30	4	14.5	16	44
2000	13	25	3	16.5	9.5	83

WLL (kg)	Dimensions (mm)																						
	A	B	C	D	E	F	G	H	I	J	K	ØL	M	N	ØP	Q	R	S	T	U	V	W	X
300	249	400	190	217	240	200	145	18	8	37	144	8x Ø13	95	120	62	124	25	184	76	25	33	58	51
500	249	400	190	217	240	200	145	18	8	37	144	8x Ø13	95	120	62	124	25	184	76	25	33	58	51
1000	410	485	305	300	340	370	-	20	10	32	236	4x Ø17	145	200	103	180	35	-	-	-	-	104	68
2000	510	585	360	400	340	440	-	35	11	38	325	4x Ø21	150	187	121	238	47	-	-	-	-	270	165

APPLICABLE STANDARDS

- Complies with machinery directive 2006/42/CE.
- Designed according to EN13157:2004.

